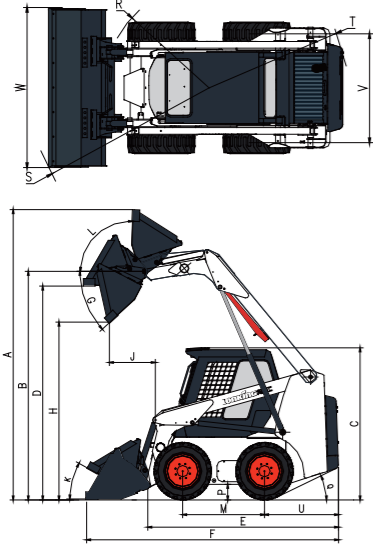


## DIMENSION

All Dimensions are Approximate. Dimensions May Vary with Bucket. Refer to Operating Specifications.



| NO. | DESCRIPTION                             | UNIT | DATA |
|-----|---|------|------|
| A   | Max.Operation Height                    | mm   | 3750 |
| B   | Bucket Pin Height                       | mm   | 2920 |
| C   | Cab Roof Height                         | mm   | 2000 |
| D   | Max.Height At Bucket Leveled            | mm   | 2730 |
| E   | Length Without Attachment               | mm   | 2420 |
| F   | Length With Standard Bucket             | mm   | 3220 |
| H   | Dumping Height                          | mm   | 2340 |
| J   | Reach Rollback                          | mm   | 640  |
| M   | Wheelbase                               | mm   | 1050 |
| P   | Ground Clearance                        | mm   | 210  |
| R   | Front Turning Radius Without Attachment | mm   | 1200 |
| S   | Front Turning Radius                    | mm   | 2010 |
| T   | Rear Turning Radius                     | mm   | 1520 |
| U   | Tail Length                             | mm   | 960  |
| V   | Center Distance between Two Wheels      | mm   | 1240 |
| W   | Bucket Width                            | mm   | 1835 |
| G   | Dumping Angle At Max.Height             | °    | 40   |
| K   | Bucket Angle On Ground                  | °    | 28   |
| L   | Bucket Rollback Angle At Max.Height     | °    | 94   |
| Q   | Start Angle                             | °    | 27   |

## TECHNICAL PARAMETERS

|                           |                              |                    |
|---------------------------|------------------------------|--------------------|
| BASIC                     | Operating Weight             | 3500kg             |
|                           | Rated Payload                | 1230kg             |
|                           | Bucket Capacity              | 0.54m <sup>3</sup> |
|                           | Tipping Load                 | 2460kg             |
|                           | Breakout Force               | 28KN               |
|                           | Traction Force               | 25.9KN             |
| L×W×H (mm)                |                              | 3460*1820*2020     |
| ENGINE                    | Engine Model                 | 4E30YG52           |
|                           | Rated Power                  | 55.8KW             |
|                           | Displacement                 | 3L                 |
|                           | Fuel consumption             | 255g/kw·h          |
|                           | Stroke                       | 107mm              |
| Bore                      |                              | 94mm               |
| Emission Standard         |                              | Euro V             |
| HYDRAULIC SYS             | Hydraulic Flow – Standard    | 77L/min·2200rpm    |
|                           | Type                         | Mechanical Servo   |
|                           | Hydraulic Pressure– Standard | 21MPa              |
|                           | Hydraulic Flow – High Flow   | 115L/min·2200rpm   |
| Loader Hydraulic Pressure |                              | 19 Mpa             |
| DRIVE TRAIN               | Travel Speed -F&R            | 11.8km/h           |
|                           | Tyre                         | 12-16.5 NHS        |
| ELECTRIC                  | Voltage(V)                   | 12 V               |
|                           | Capacity(Ah)                 | 165 Ah             |
| OIL REFILL CAP            | Chain Box, Each Side         | 9L                 |
|                           | Cooling System               | 12L                |
|                           | Engine Crankcase             | 9L                 |
|                           | Fuel Tank                    | 91L                |
| Hydraulic Tank            |                              | 65L                |

## OPTIONAL

|                |                                  |
|----------------|----------------------------------|
| Cold Start     | Snow Blower                      |
| Open Cab       | Tree Planter                     |
| Solid Tyre     | Four In One Bucket               |
| Spiral Drill   | Detachable Bucket Tooth          |
| Excavator      | Detachable Bucket Blade          |
| Bevel Sweeper  | Warm Air Blower                  |
| Closed Sweeper | Mass Flow System                 |
| Fork           | Centralized pressure measurement |
| Snow Blade     | Rearview mirror heating function |

### Function Description :

- 1.Integrated loader frame, higher intensity and better stability.
- 2.Kubota strong power engine,which meets EU Stage V emission standard.
3. It adopts original and imported hydraulic system with stable reliability.
- 4.Cab adopts big angle and backward dump design, backward dump leaves bigger space for repair and convenient for maintenance.
- 5.It complies with international safety standard FOPS/ROPS of high intensity cab, which has bigger space and is more comfortable.
- 6.Hydraulic operation system adopts design of electric control self-lock and interlock to reduce misoperation to make the system safer.
- 7.It adopts quick changing device commonly used internationally, which can change all kinds of attachments quickly and conveniently. Hydraulic quick connector matches attachments from most manufacturers.
- 8.Compared with similar types, it has characteristics of narrow loader body, long wheelbase, high chassis, smaller steering radius, higher stability and stronger passing capacity.

**For more information on Lonking products,  
Please contact our local agent:**

The following blank can be used for notes or comments.

# Lonking 龙工

## CDM312

### Lonking Skid Steer Loader

Efficiency Rules the Future



- ENGINE MODEL : 4E30YG52
- RATED POWER: 55.8KW
- OPERATING WEIGHT: 3500kg
- RATED PAYLOAD: 1230kg
- BUCKET CAPACITY: 0.54m<sup>3</sup>